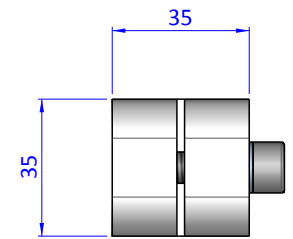
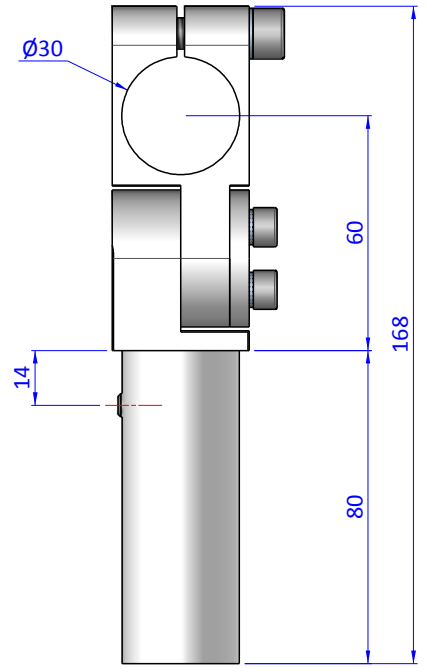
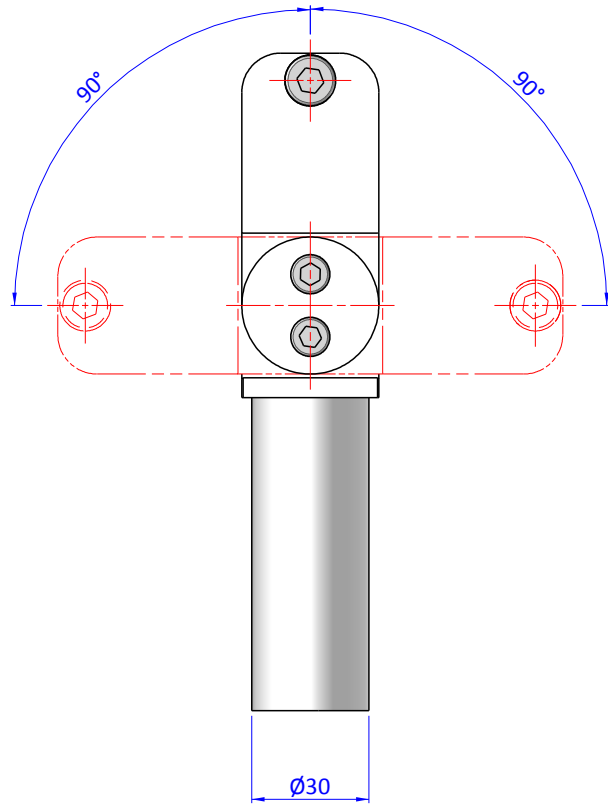
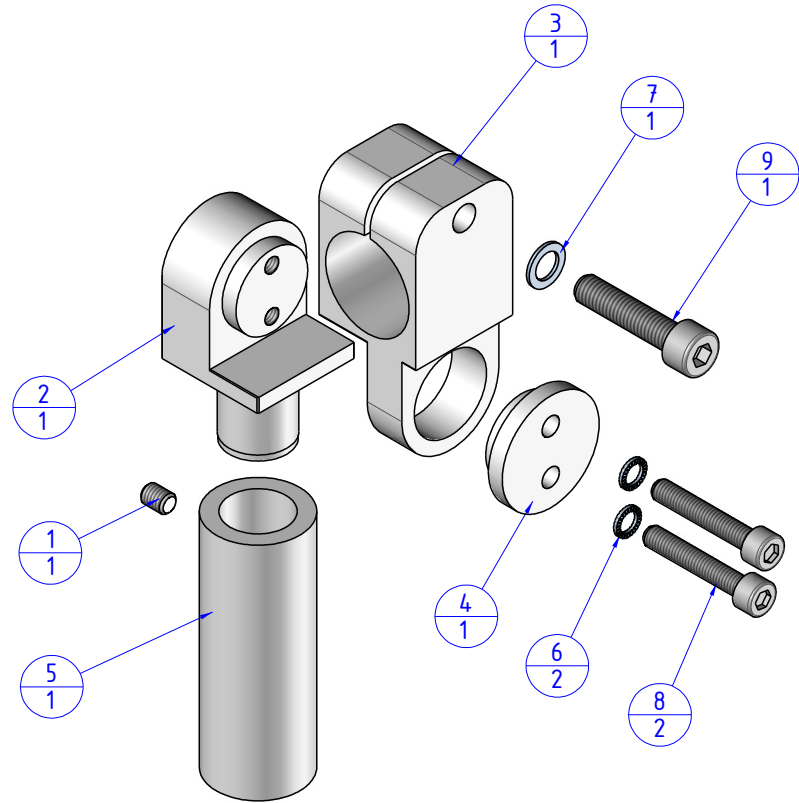


THE PROPERTY OF THE DRAWING IS ESTABLISHED BY LAW. IT IS FORBIDDEN TO PRODUCE OR SHOW IT TO THIRD PARTY, WITHOUT A WRITTEN AGREEMENT.

Item	Name	Q.ty
1	GR.6X8.Z	1
2	GVR.30.1	1
3	GVR.30.2	1
4	GVR.30.3	1
5	GVR.30.80	1
6	R.6.SCH	2
7	R.8.SCH	1
8	V.TCE6x35	2
9	V.TCE8x35	1



Format A3
UNI 936-76

		DESIGNED FROM	REVIEW
		FP SERVICES	A
GENERAL TOLERANCE	DESCRIPTION	DATE	WEIGHT
UNI - ISO 2768	CA.GVR.3030.80	08/02/2019	0,327kg
CLASSE f		CODE	CA.GVR.3030.80